



**ANTI-EFFRAZIONE  
MANIGLIA IN FOLLE**

**SERRATURE PER PORTE BASCULANTI A CILINDRO PROFILO EUROPEO INT. 70**

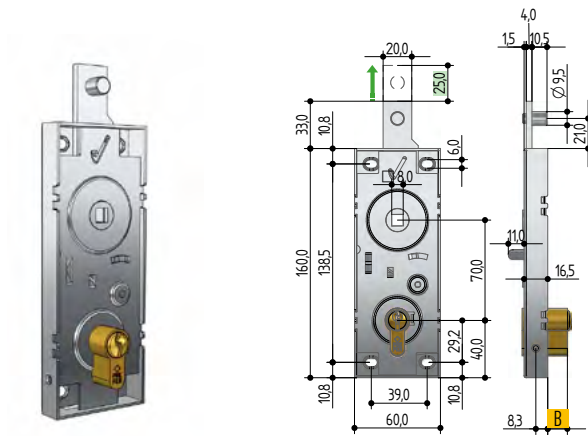
*LOCKS FOR OVERHEAD GARAGE DOORS WITH EUROPEAN PROFILE CYLINDER INT. 70*

*SERRURES POUR PORTES BASCULANTES, CYLINDRE PROFILE EUROPÉEN - ENTRAXE 70*

*CERRADURAS PARA PUERTAS BASCULANTES, CILINDRO DE PERFIL EUROPEO - DISTANCIA ENTRE EJES 70*



**A = 70mm**



+	Perno / foro Pin / hole
6	bolt hole - M6
8	bolt hole - M8
A	No pin

+	Quadro maniglia / Handle hole Carré de poignée / Perno cuadrado
7	7 x 7 mm
9	9 x 9 mm

**W598**

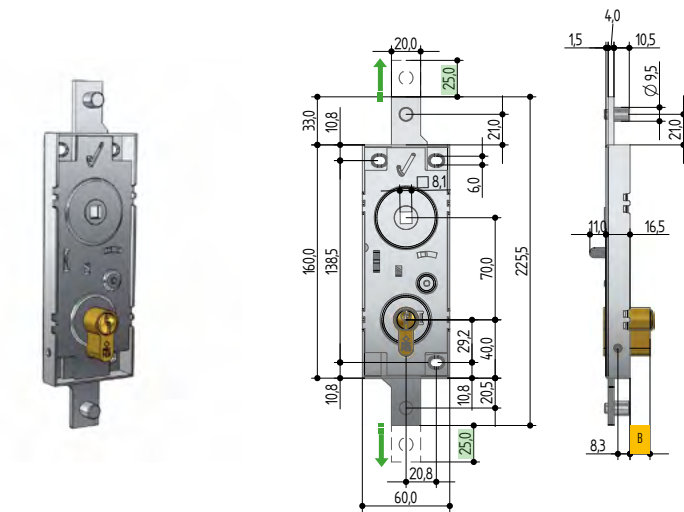


codice   code   código														B mm					MIN ORD
1	2	3	4	5	6	7	8	9	10	11	12	13	14						
W	5	9	8	•	0	8	2	0	•	0	0	0	0	15,2	WE0S.2410	7300.2A00	40	1	1
W	5	9	8	•	0	8	2	2	•	0	0	0	0	22,7	WE0S.3110	7300.2B00	40	1	1

**6598**



codice   code   código														B mm					MIN ORD
1	2	3	4	5	6	7	8	9	10	11	12	13	14						
6	5	9	8	•	0	8	1	Z		0	0	0	0	-	-	-	40	1	1
6	5	9	8	•	0	8	1	0		0	2	0	0	13,7	6A00.2210	7100.2300	40	1	1
6	5	9	8	•	0	8	1	2	•	0	2	0	0	21,7	6A00.3010	7100.2400	40	1	1
6	5	9	8	•	0	8	1	4	•	0	2	0	0	31,7	6A00.4010	7100.2400	40	1	1



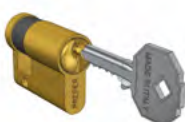
Z	Senza cilindro Without cylinder Sans cylindre Sin cilindro
---	---

**W599**



codice   code   código														B mm					MIN ORD
1	2	3	4	5	6	7	8	9	10	11	12	13	14						
W	5	9	9	•	0	8	2	0	•	0	0	0	0	15,2	WE2S.2410	7300.2A00	20	1	1
W	5	9	9	•	0	8	2	2	•	0	0	0	0	22,7	WE2S.3110	7300.2B00	20	1	1

**6599**



codice   code   código														B mm					MIN ORD
1	2	3	4	5	6	7	8	9	10	11	12	13	14						
6	5	9	9	•	0	8	1	Z		0	0	0	0	-	-	-	20	1	10
6	5	9	9	•	0	8	1	0		0	2	0	0	13,7	6A20.2210	7100.2300	20	1	10
6	5	9	9	•	0	8	1	2	•	0	2	0	0	21,7	6A20.3010	7100.2400	20	1	1
6	5	9	9	•	0	8	1	4	•	0	2	0	0	31,7	6A20.4010	7100.2400	20	1	1